



**26.5 GHz SMA N/O S.P.6 T. Subminiature SWITCH**

OPTIONS : SUPP.DIODES TTL DRIVE

**R F CHARACTERISTICS**

NUMBER OF WAYS : 6  
 FREQUENCY RANGE : 0 - 26.5 GHz  
 IMPEDANCE : 50 Ohms

FREQUENCY (GHz)	0 - 3	3 - 8	8 - 12.4	12.4 - 18	18 - 26.5
V.S.W.R <=	1.20	1.30	1.40	1.50	1.60
INSERT. LOSS <=	0.20 dB	0.30 dB	0.40 dB	0.50 dB	0.60 dB
ISOLATION >=	80 dB	70 dB	60 dB	60 dB	55 dB
AVER.POWER (25°C)	240 W	150 W	120 W	100 W	40 W

**ELECTRICAL CHARACTERISTICS**

ACTUATOR : NORMALLY OPEN  
 NOMINAL CURRENT AT 25°C (±10%) : 250 mA  
 ACTUATOR VOLTAGE (Vcc) : 12V (10.2 to 13V)  
 TERMINALS : 16 pins double row connector for connecting to 2.54mm pitch female socket wrapping or soldering (250°C max/30 sec)  
 TTL INPUTS (E) - High level : 2.2 to 5.5V / 800µA at 5V  
 - Low level : 0 to 0.8V / 20µA at 0.8V

**MECHANICAL CHARACTERISTICS**

CONNECTORS : SMA female per MIL C 39012  
 LIFE : 10.000.000 cycles per position  
 SWITCHING TIME (nominal voltage; 25°C) : < 10 ms  
 WEIGHT : < 120 g

**ENVIRONMENTAL CHARACTERISTICS**

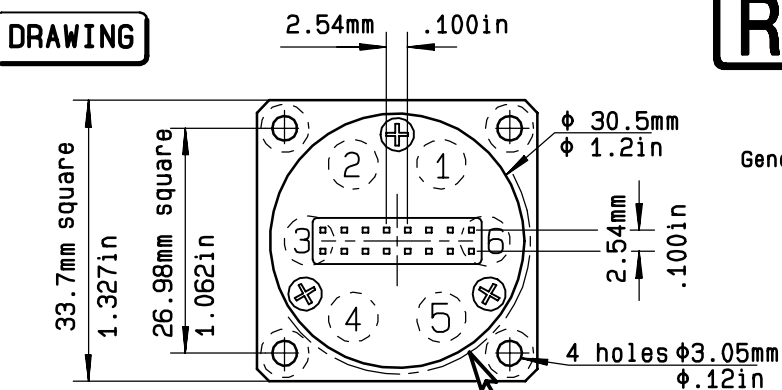
OPERATING TEMPERATURE RANGE (°C) : -40 , +85  
 STORAGE TEMPERATURE RANGE (°C) : -55 , +85  
 VIBRATION - MIL STD 202, meth.204 : 10 - 2000Hz , 20g (operating)  
 SHOCKS - MIL STD 202, meth.213 : 100 g / 6ms / half-sine (operating)

This information is given as an indication. In the continual goal to improve our products, we reserve the right to make any modifications judged necessary

4112-9212

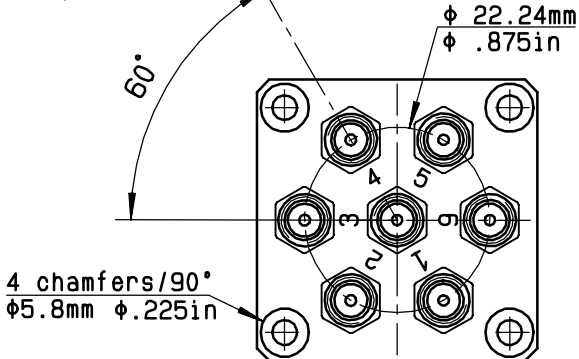
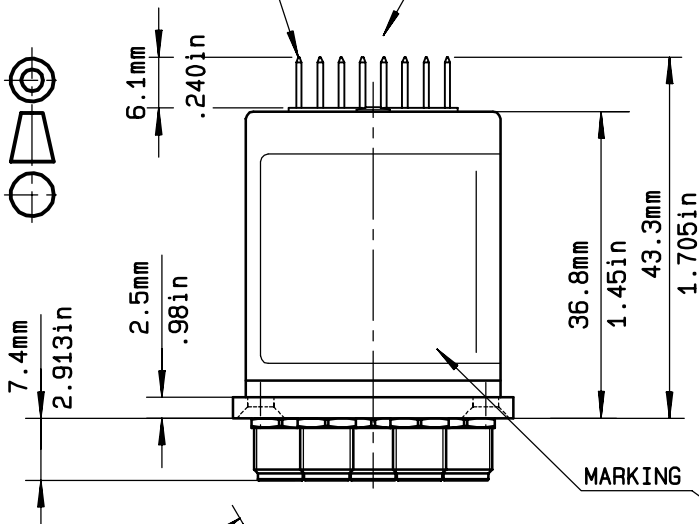
General tolerance: ± 0,5 mm

**DRAWING**



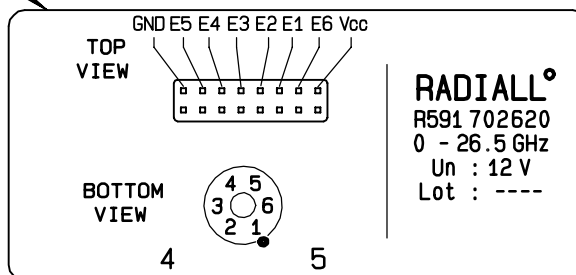
16 pin double row connector

0.64mm (.025in) SQ.



TTL input	RF continuity
E1 = 1	IN ↔ 1
E2 = 1	IN ↔ 2
E3 = 1	IN ↔ 3
E4 = 1	IN ↔ 4
E5 = 1	IN ↔ 5
E6 = 1	IN ↔ 6

TOP VIEW (TERMINALS)



**SCHEMATIC DIAGRAM**

